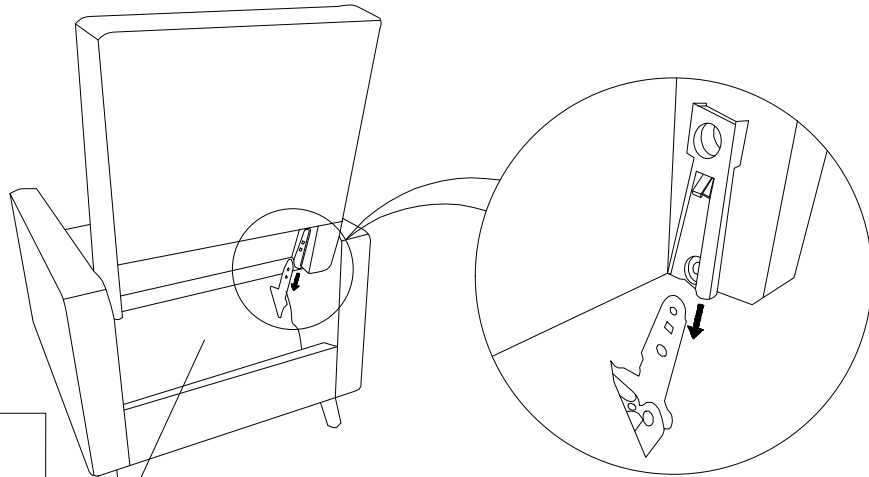
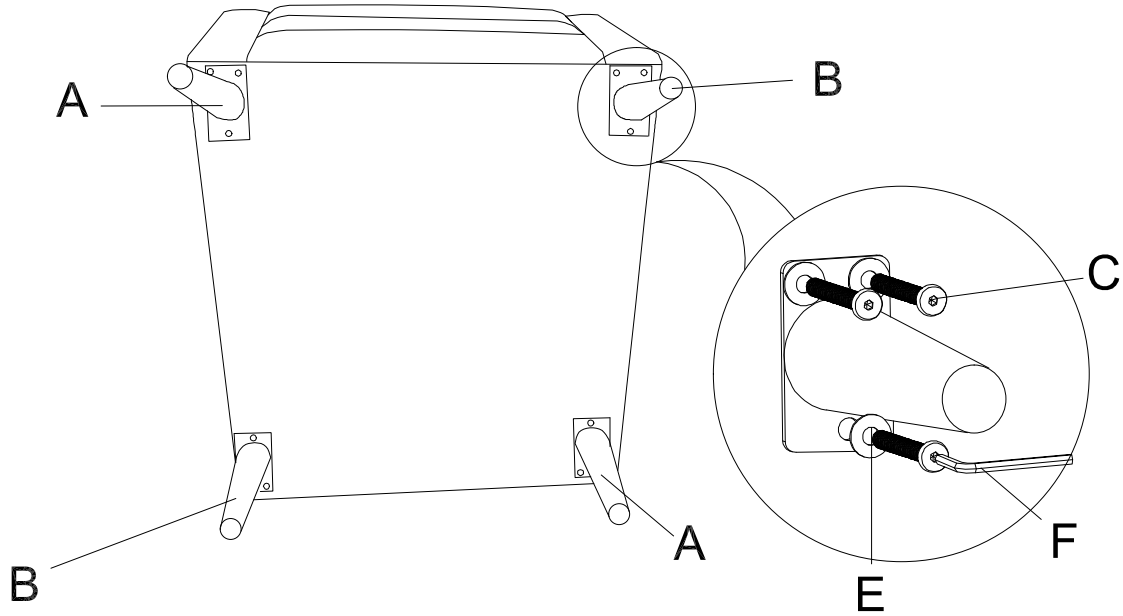
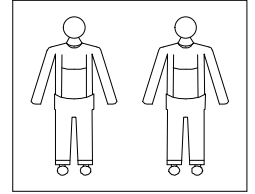







# ASSEMBLY INSTRUCTION



-  — A x2
-  — B x2
-  — C x12
-  — E x12
-  — F x1

